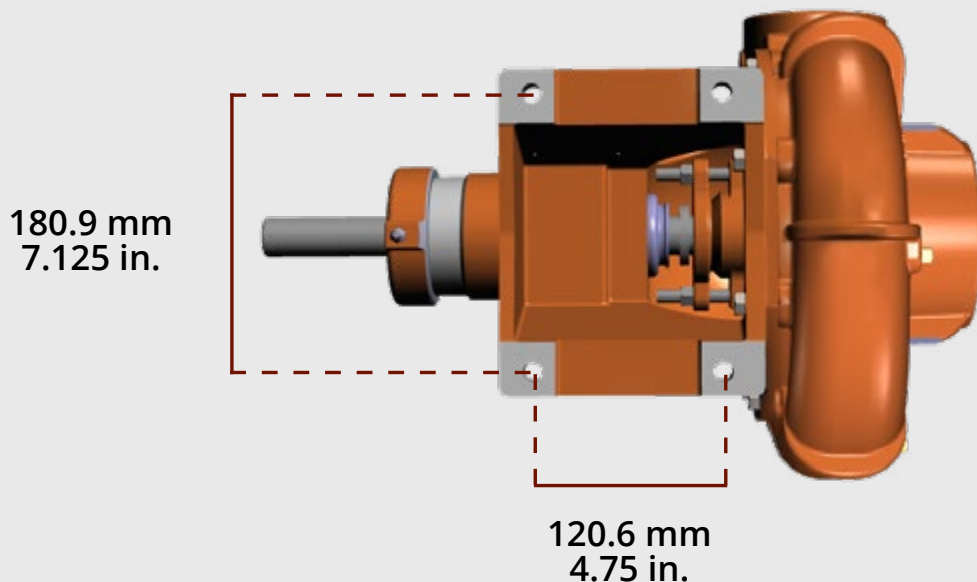


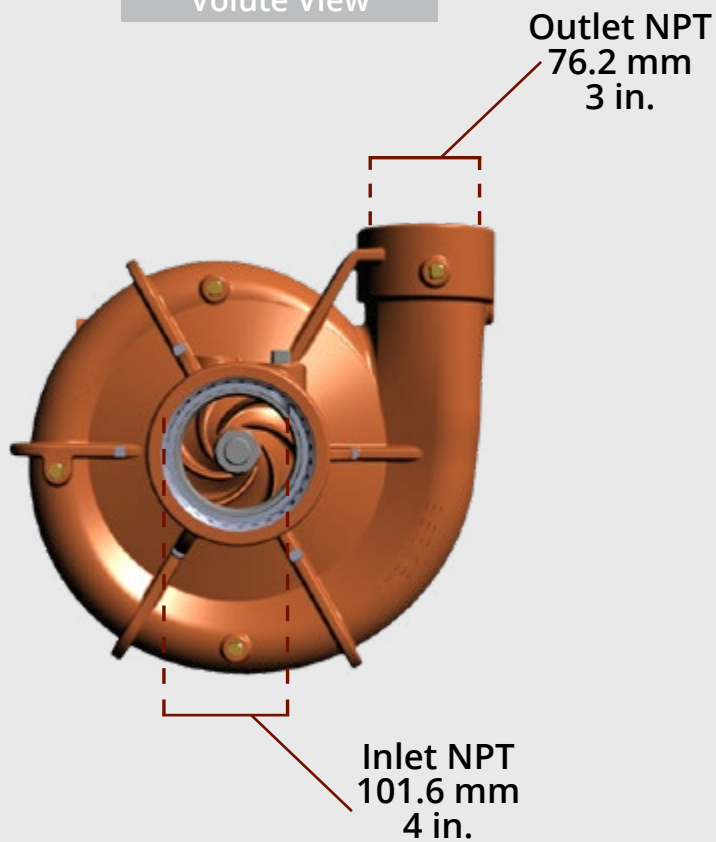
### B-3 & B-3Z Basic Dimensions

Please contact Parts Sales at 1-800-345-8889 for more dimensional information on our B-3 & B-3Z water pumps.

Footprint/ Bottom



Volute View



## B-3 & B-3Z Berkeley Pump Performance Curve



B-3Z Keyed Shaft, CW  
300049



B-3 Splined Shaft, CW  
302001

Dia. 9.00"

Nominal RPM: **VARIOUS**  
Based on Fresh Water @ 68°F (20°C)  
Maximum Working Pressure: 266 PSI (18 BAR)

